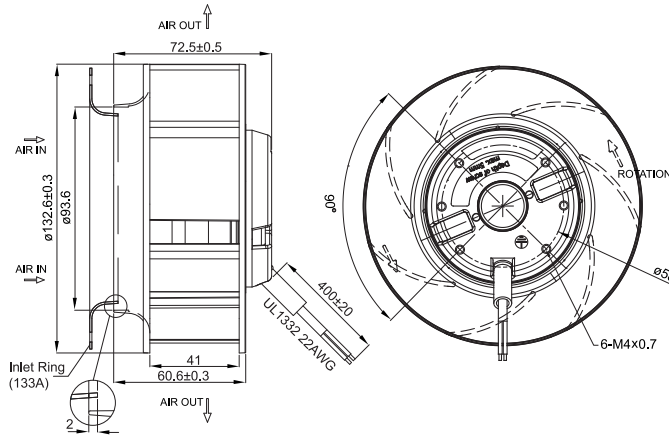


UF133(72)APA Series

Size : $\varnothing 132.6 \times 72.5$
Unit : mm

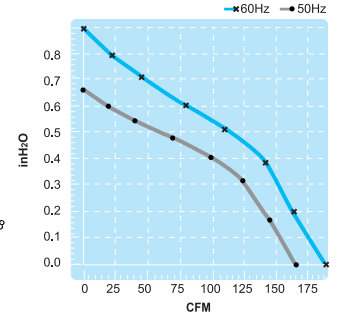


Thermal Protection



Lead Wire Type

(Centrifugal Fan)



| Spec. / Model | Rated Voltage (V) | Frequency (Hz) | Input Power (W) | Rated Current (A) | Locked Current (A) | Speed (RPM) | Maximum Air Flow (m ³ /min.) | Maximum Air Flow (CFM) | Maximum Pressure (mmH ₂ O) | Maximum Pressure (InchH ₂ O) | Capacitor (uF/VDB) | Noise (dB) | Weight (kg) |
|-------------------------|-------------------|----------------|-----------------|-------------------|--------------------|-------------|---|------------------------|---------------------------------------|---|--------------------|------------|-------------|
| UF133(72)APA 11H1S2A | 115V | 50 | 42 | 0.50 | 0.83 | 2780 | 4.66 | 165 | 16.6 | 0.65 | --- | 50 | 0.9 |
| | | 60 | 41 | 0.43 | 0.72 | 3200 | 5.33 | 188 | 22.4 | 0.88 | --- | 60 | |
| UF133(72)APA 23H1S2A | 230V | 50 | 40 | 0.24 | 0.39 | 2780 | 4.66 | 165 | 16.6 | 0.65 | --- | 50 | 0.9 |
| | | 60 | 39 | 0.21 | 0.34 | 3200 | 5.33 | 188 | 22.4 | 0.88 | --- | 60 | |